

DIGITAL CAMERA SPECIFICATIONS



THE SMALLEST DIGITAL COLOR WELDING CAMERA



THE WIDEST RANGE OF ORBITAL WELDING EQUIPMENT IN THE WORLD

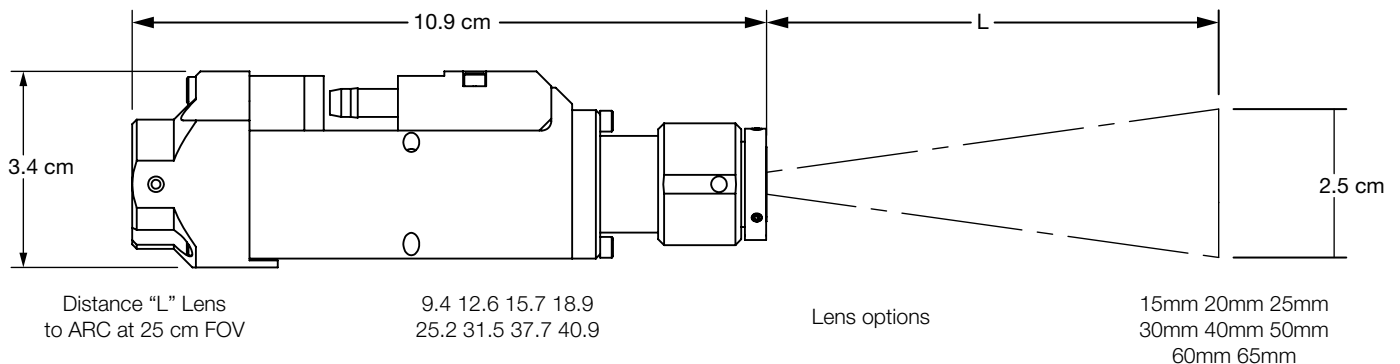
AMI's Digital color welding camera combined with the Software creates the highest performance Weld Monitoring system. Powerful digital signal processing, the hardware, and software complement each other resulting in a quality and dynamic range greater than any weld camera on the market.

FEATURES

- USB 3.0 and 2.0 compatible
- Dynamic range up to 120db
- Smallest camera in the market

INDUSTRY

- Nuclear
- Power Generation
- Shipyards
- Offshore
- Oil and Gas



Visit arcmachines.com for more information.

DIGITAL CAMERA SPECIFICATIONS

QUICK SPECS	
Wide Dynamic Range White Balance (Automatic)	Automatic, Manual; 1:40 to 1:30,000
Video Resolution	1280 x 960 @ 30 fps 1280 x 720 @ 55 fps 640 x 480 @ 30 fps
Distance "L" Lens to Arc at 25mm FOV (cm)	9.4 / 12.6 / 15.7 / 18.9 / 25.2 / 31.5 / 40.9
Focal Lens Digital Length	15 mm / 20 mm / 25 mm / 30 mm / 40 mm / 50 mm / 60 mm / 65 mm
USB	USB 3.0 and USB 2.0
Cable Lengths	10 m / 20 m / 30 m / 50 m
Camera Module Mounting	Various
Water Cooler	YES
Environmental Rating	IP50
Dimensions	W/out Water Cooled Housing: Ø17 mm x 60 mm With Water Cooled Housing: Approx. 21 x 32 x 110 mm
Temperature	Non Water Cooled: ~ 50°C

* Camera configurations are available to fit most applications.

* Custom options available.



AN ESAB® BRAND

AMI / arcmachines.com



GLOBALLY CERTIFIED MANAGEMENT SYSTEMS